

## PACKAGING & WEIGHTS

### Individual Unit

- Individual Seat Weight: 5.7 lbs

### Individual Packaged Unit

- Packaging: Corrugate Carton
- Packaged Seat Weight: 6.2 lbs
- Packaging Dimensions: 15.44 x 5.72 x 21.8

### Master Carton

- 2 Individual Units
- Weight: 13.4 lbs
- Master Carton Dimensions: 15.94 x 11.94 x 22.3

### Pallets

- Standard (40x48") Qty: 44

## SPECIFICATIONS

- Style: Closed Ring, with Cover
- Size/Shape: Round
- Material: Polypropylene
- Hinges: Hybrid (Stainless steel & polypropylene)
- Hardware Kit: Snap 2 Secure™
- Bumpers: Ring: 2 Super Grip™
- Suggested Uses: Residential & Commercial

## CLEANING

Use warm, soapy water to clean your seat.  
DO NOT use abrasive cleaners!

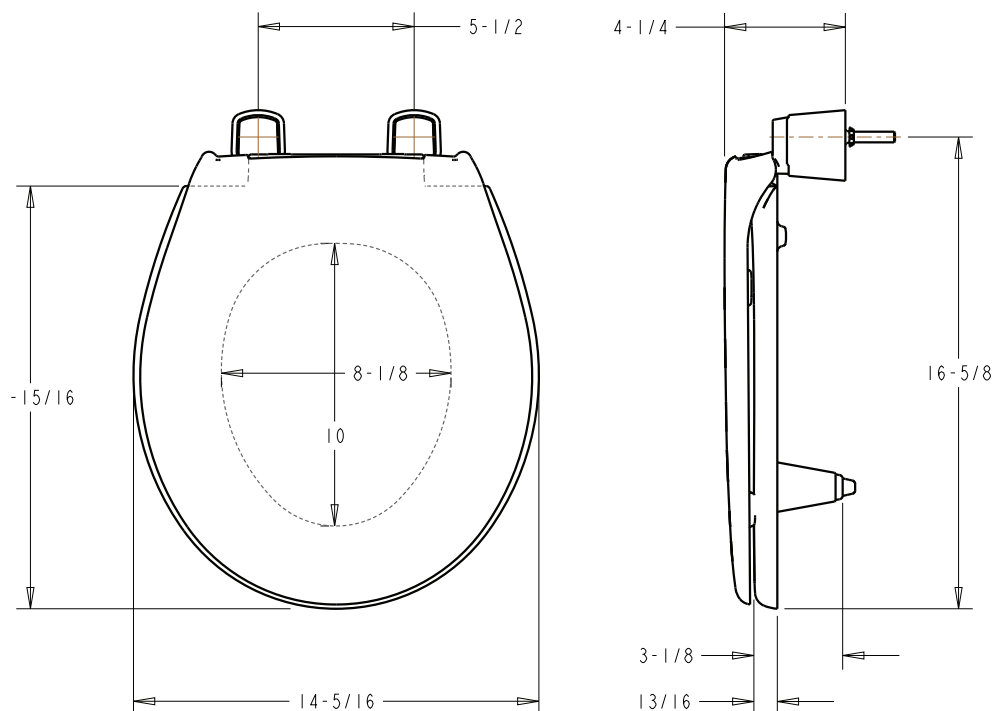
## MADE IN

Proudly Made in the USA with 75% or More US Content

## AVAILABLE COLORS

White

## DIMENSIONS



**PACKAGING & WEIGHTS**

**Individual Unit**

- Individual Seat Weight: 6.1 lbs

**Individual Packaged Unit**

- Packaging: Corrugate Carton
- Packaged Seat Weight: 6.75 lbs
- Packaging Dimensions: 15.44 x 5.72 x 21.8

**Master Carton**

- 2 Individual Units
- Weight: 14.5 lbs
- Master Carton Dimensions: 15.94 x 11.94 x 22.3

**Pallets**

- Standard (40x48") Qty: 44

**SPECIFICATIONS**

- Style: Closed Ring, with Cover
- Size/Shape: Elongated
- Material: Polypropylene
- Hinges: Hybrid (Stainless steel & polypropylene)
- Hardware Kit: Snap 2 Secure™
- Bumpers: Ring: 2 Super Grip™
- Suggested Uses: Residential & Commercial

**CLEANING**

Use warm, soapy water to clean your seat.  
DO NOT use abrasive cleaners!

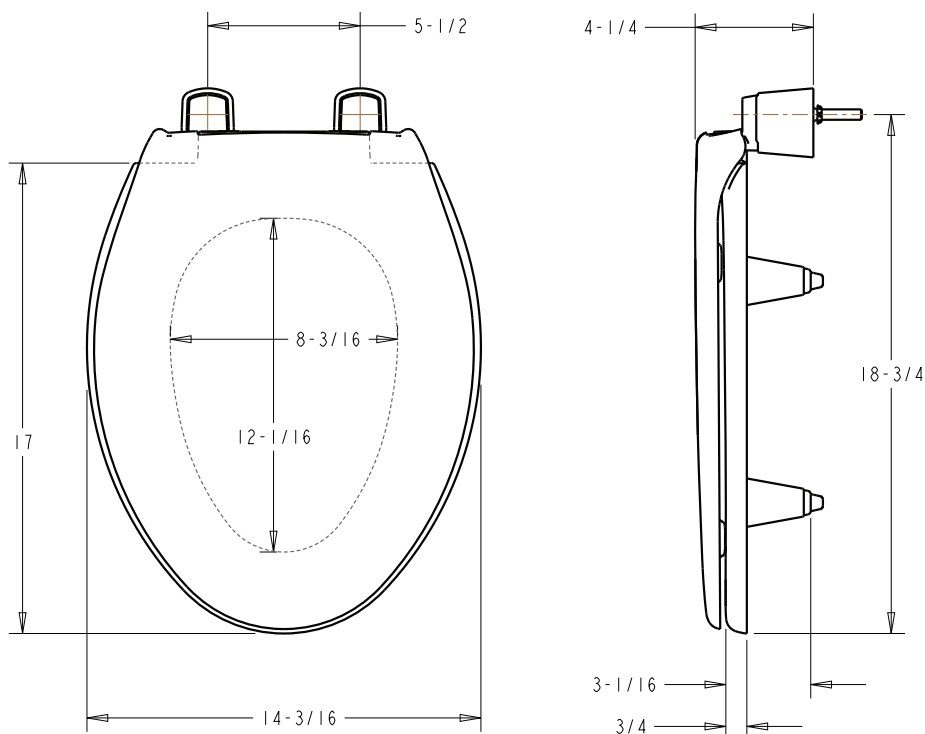
**MADE IN**

Proudly Made in the USA with 75% or More US Content

**AVAILABLE COLORS**

White

**DIMENSIONS**



**PACKAGING & WEIGHTS**

**Individual Unit**

- Individual Seat Weight: 5.5 lbs

**Individual Packaged Unit**

- Packaging: Corrugate Carton
- Packaged Seat Weight: 6.0 lbs
- Packaging Dimensions: 15.44 x 5.72 x 21.8

**Master Carton**

- 2 Individual Units
- Weight: 13.0 lbs
- Master Carton Dimensions: 15.94 x 11.94 x 22.3

**Pallets**

- Standard (40x48") Qty: 44

**SPECIFICATIONS**

- Style: Open Ring, with Cover
- Size/Shape: Round
- Material: Polypropylene
- Hinges: Hybrid (Stainless steel & polypropylene)
- Hardware Kit: Snap 2 Secure™
- Bumpers: Ring: 2 Super Grip™
- Suggested Uses: Residential & Commercial

**CLEANING**

Use warm, soapy water to clean your seat.  
DO NOT use abrasive cleaners!

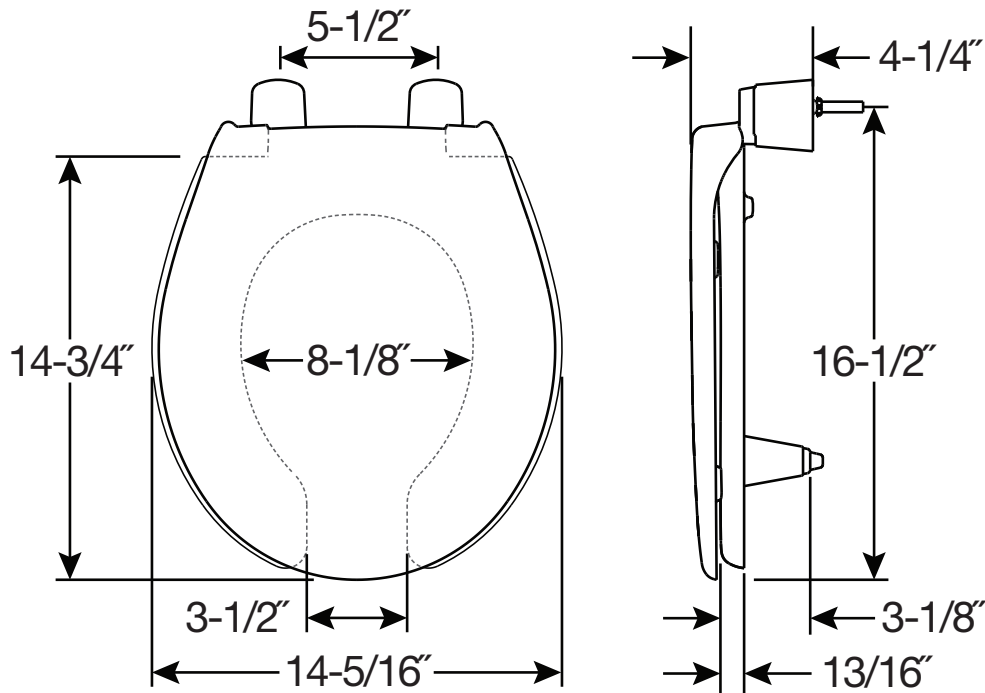
**MADE IN**

Proudly Made in the USA with 75% or More US Content

**AVAILABLE COLORS**

White

**DIMENSIONS**



**PACKAGING & WEIGHTS**

**Individual Unit**

- Individual Seat Weight: 5.8 lbs

**Individual Packaged Unit**

- Packaging: Corrugate Carton
- Packaged Seat Weight: 6.5 lbs
- Packaging Dimensions: 15.44 x 5.72 x 21.8

**Master Carton**

- 2 Individual Units
- Weight: 14.5 lbs
- Master Carton Dimensions: 15.94 x 11.94 x 22.3

**Pallets**

- Standard (40x48") Qty: 44

**SPECIFICATIONS**

- Style: Open Ring, with Cover
- Size/Shape: Elongated
- Material: Polypropylene
- Hinges: Hybrid (Stainless steel & polypropylene)
- Hardware Kit: Snap 2 Secure™
- Bumpers: Ring: 2 Super Grip™
- Suggested Uses: Residential & Commercial

**CLEANING**

Use warm, soapy water to clean your seat.  
DO NOT use abrasive cleaners!

**MADE IN**

Proudly Made in the USA with 75% or More US Content

**AVAILABLE COLORS**

White

**DIMENSIONS**

